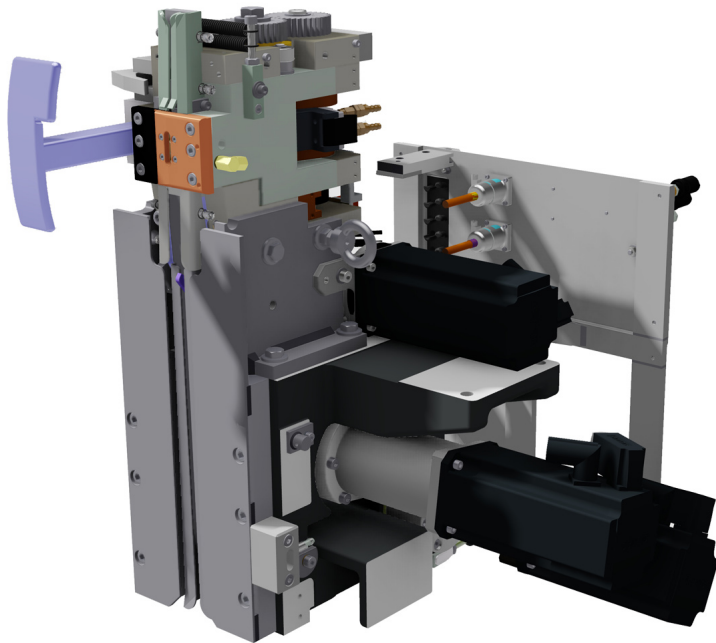
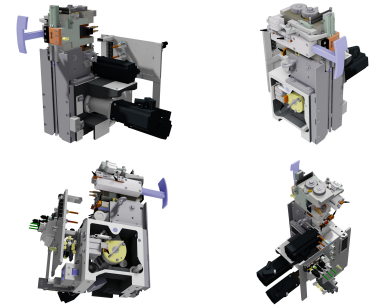


VS32-LE



Contact

info@titan-asiapacific.com
+61 8 8240 9000
2A Capelli Road, Wingfield, South
Australia, 5013



In top shape over 30

When speaking of „over 30“, TITAN usually refers to the strap width not the age. The VS32-LE heads are capable of processing steel straps up to 32 mm wide. Depending on the requirement, 19 or 25 mm are also possible.

This means that the VS32-LE series is suitable for heavy-duty strapping applications and applications requiring straightforward functionality, shortest strapping cycles and efficient cost management. These are all factors in which the VS32-LE heads hit the bull's eye. It is possible to control the transport speed of up to 2.5 m per second and the tensioning force of up to 20,000 N very precisely. Highest precision is also required in joining: Two welding spots according to the non-contact TIG welding process hold together what belongs together, even with the largest dimensions and enormous weight.

The special version VS32-LE-R has a smaller base plate and can therefore secure circular packages from 700 mm. Modern drive technology with innovative servo drives makes the VS32-LE heads fit for the future.

Technical Data

Kind of drive	Electric
Tension force	4,000 - 20,000 N (adjustable)
Mains voltage	400 V AC / 50 Hz
Control voltage	24 V
Welding voltage (TITANARG®)	400 V ; 460 V

Strap conveying speed	approx. 2.5 m/s approx. 8.2 ft/s
Dimensions	680 x 630 x 750 mm (L x W x H) 26.8 x 24.8 x 29.5" (L x W x H)
Weight	200 kg 440.9 lb
Air pressure	min. 5 bar max. 6 bar
Cross-section	1/4"

Strap/Joint

Type of strap	Steel strap
Strap	Automatenband MEGABAND®
Strap width	19, 25, 32 mm 3/4" ; 1" ; 1 1/4"
Strap thickness	0.80 - 1.00 mm 0.031 - 0.039" 0.80 mm 0.031"
Kind of seal	TIG welding joint
Sealing strength (depending on strap quality, strap dimensions)	up to 85% of the strap breaking load

Minimum bearing area

Expansive package	180 mm 7.1"
Slit coil ring	180 mm 7.1"
Round package	Ø 800 mm Ø 31.5"

Application

Light-duty strapping applications; for strapping of slit coils, sheet packages, bricks, structural timber, bundles of profiles, etc.